

## ULTRAFST RECOVERY RECTIFIERS

**Reverse Voltage - 600 V**

**Forward Current - 10 A**

### FEATURES

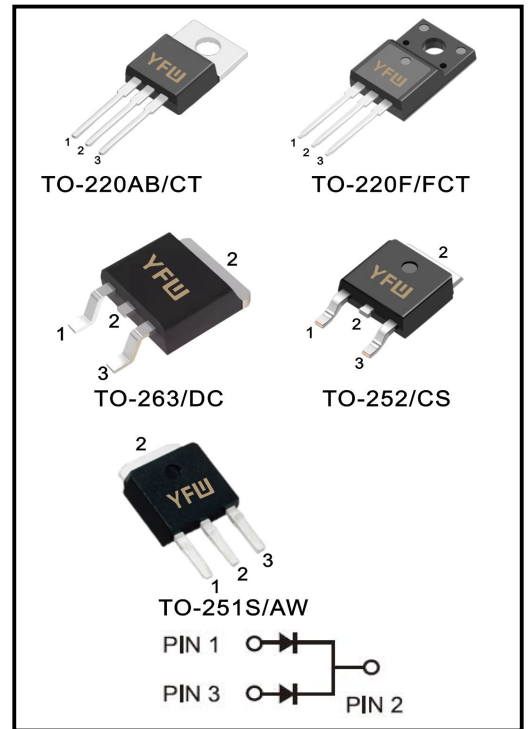
- ◆ High speed switching capability
- ◆ High current capability
- ◆ High forward surge capability
- ◆ Low power losses, High efficiency
- ◆ High reliability
- ◆ For use in low voltage, high frequency inverters

### MECHANICAL DATA

- ◆ Case: TO-220AB/CT TO-220F/FCT TO-263/DC TO-252/CS TO-251S/AW
- ◆ Polarity: As marked
- ◆ Mounting Position: Any
- ◆ Molded Plastic: UL Flammability Classification Rating 94V-0
- ◆ Lead free in compliance with EU RoHS 2011/65/EU directive
- ◆ Solder bath temperature 275°C maximum, 10s per JESD 22-B106

### Primary Characteristic

$I_o$	<b>2*5A</b>
$V_{RRM}$	<b>600V</b>
$I_{FSM}$	<b>130A</b>
$V_F$	<b>1.19V</b>
$T_J \text{ Max}$	<b>175°C</b>



### Maximum Ratings (Per Leg) at Ta=25°C unless otherwise specified

Parameter	Symbols	Value	Units
Maximum Repetitive Peak Reverse Voltage	$V_{RRM}$	600	V
Maximum RMS voltage	$V_{RMS}$	420	V
Maximum DC Blocking Voltage	$V_{DC}$	600	V
Maximum Average Forward Rectified Current	Per Leg	5	A
	Total	10	
Peak Forward Surge Current, 8.3ms Single Half Sine-wave Superimposed on Rated Load (JEDEC method)	$I_{FSM}$	130	A
Operating Temperature Range	$T_J$	175	°C
Storage Temperature Range	$T_{STG}$	-55~ +175	°C
Typical Thermal Resistance (Note1) TO-220AB TO-263TO-252/TO-220F	$R_{\theta JC}$	2/4	°C/W

**Note1: Thermal resistance from Junction to case per leg mounted on heatsink.**

### Electrical Characteristics (Per Leg) unless otherwise specified

Characteristics	Symbols	Value		Units	
Forward Voltage Drop(Note2)	$V_F$	Typ	Max	V	
at $I_F=2A$		TA=25°C	1.16		-
		TA=125°C	0.98		-
at $I_F=5A$		TA=25°C	1.34		1.60
	TA=125°C	1.19	-		
Maximum Reverse Current at $V_R=600V$	$I_R$	TA=25°C	0.50	2	
		TA=125°C	1.87	5	
Maximum Reverse Recovery Time at $I_F=0.5A, I_R=1A, I_{RR}=0.25A$	$T_{RR}$	28	35	nS	

**Note2: Pulse test: 300 μs pulse width, 1 % duty cycle**

**RATINGS AND CHARACTERISTIC CURVES**

FIG. 1 MAXIMUM FORWARD CURRENT DERATING CURVE

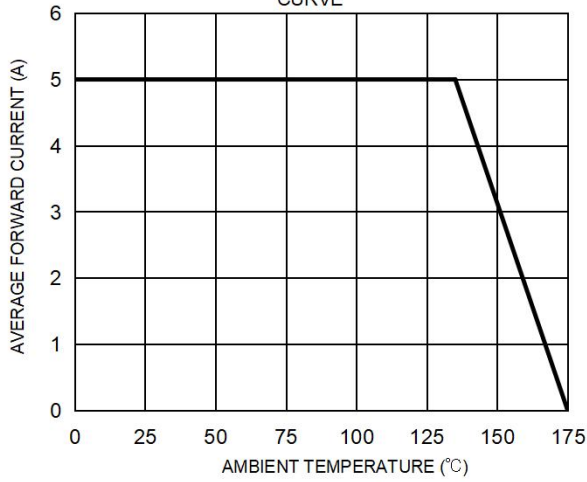


FIG. 2 MAXIMUM NON-REPETITIVE FORWARD SURGE CURRENT PER LEG

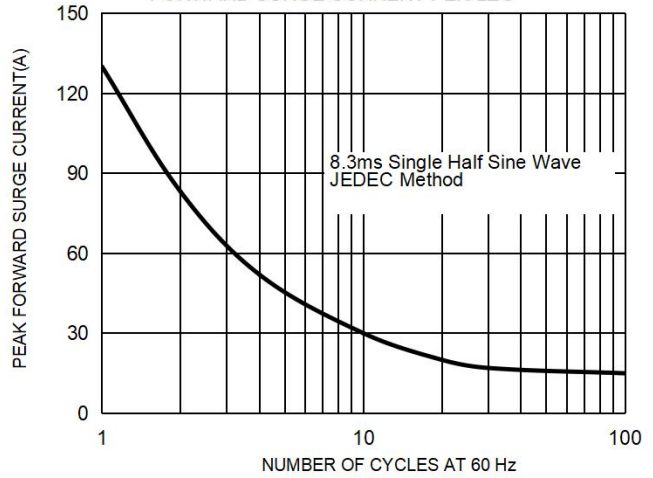


FIG. 3 TYPICAL FORWARD CHARACTERISTICS PER LEG

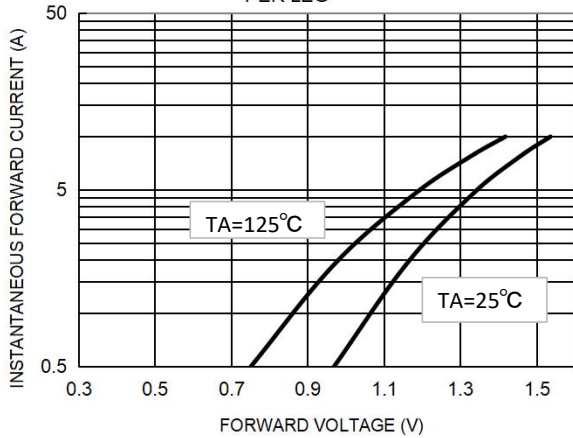
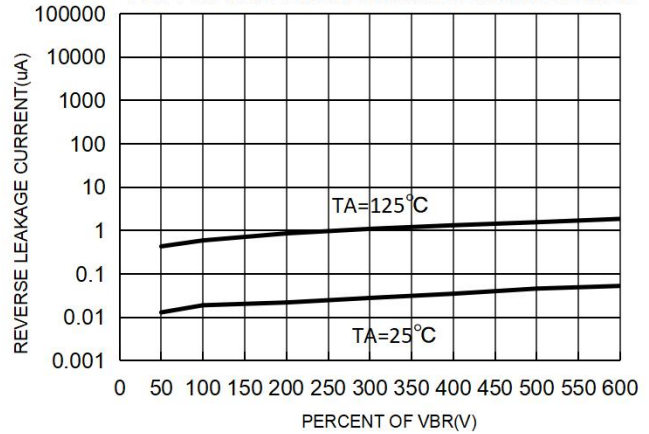
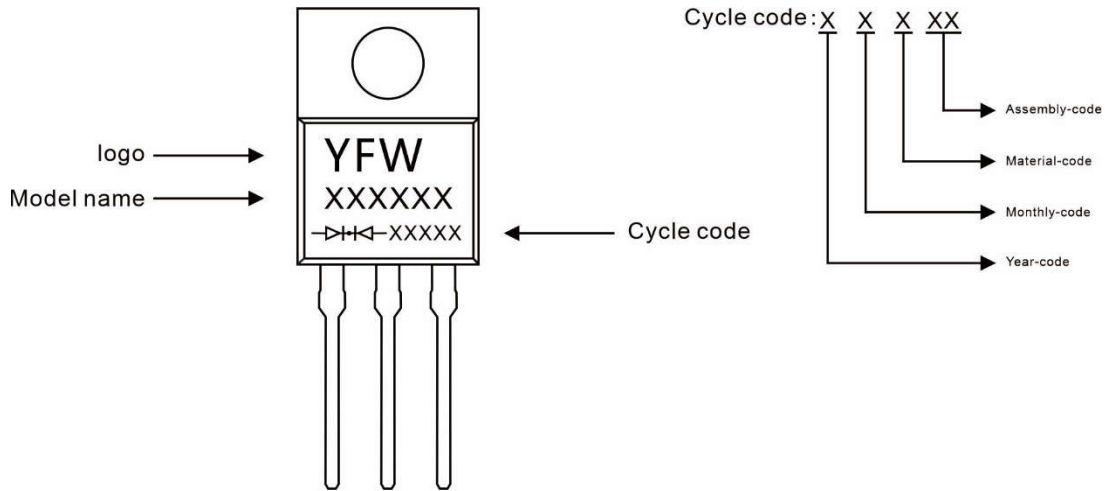


FIG. 4 TYPICAL REVERSE CHARACTERISTICS PER LEG



**Marking Diagram**



**Ordering information**

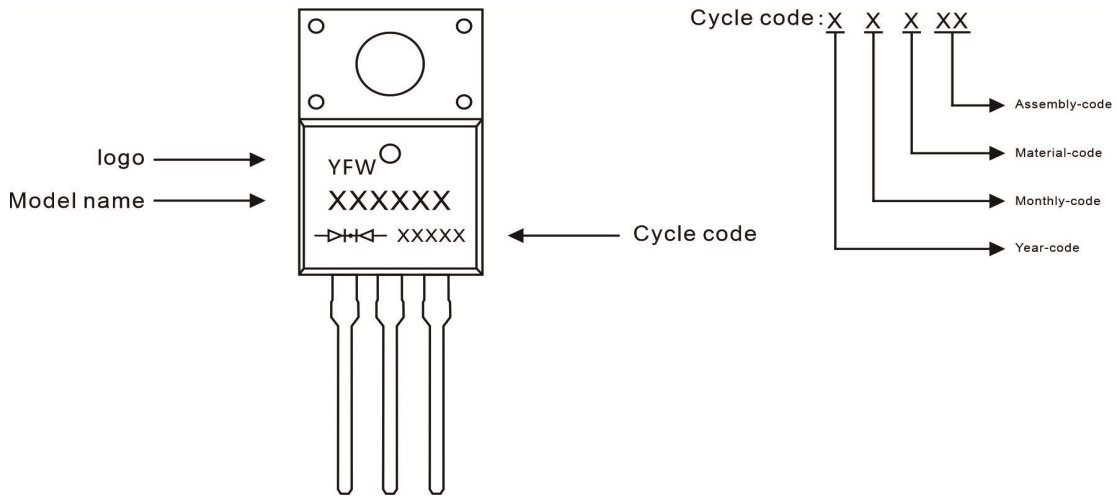
Model name	Package	Unit Weight	Base Quantity	Packing Quantity
MUR1060CT	TO-220AB	0.07oz(1.96g)	50pcs/tube	1000PCS/Box 5000PCS/Carton

**Package Dimensions**

**TO-220AB**

Symbol	Millimeter		Inches	
	Min.	Max.	Min.	Max.
A	4.30	4.70	0.169	0.185
A1	2.52	2.82	0.099	0.111
b	0.71	0.91	0.028	0.036
b1	1.17	1.37	0.046	0.054
c	0.30	0.50	0.012	0.020
c1	1.17	1.37	0.046	0.054
D	9.90	10.20	0.390	0.402
E	8.50	8.90	0.335	0.350
E1	12.00	12.50	0.472	0.492
e	2.44	2.64	0.096	0.104
e1	4.88	5.28	0.192	0.208
F	2.60	2.80	0.102	0.110
L	13.20	13.80	0.520	0.543
L1	3.80	4.20	0.150	0.165
Φ	3.60	3.96	0.142	0.156

**Marking Diagram**



**Ordering information**

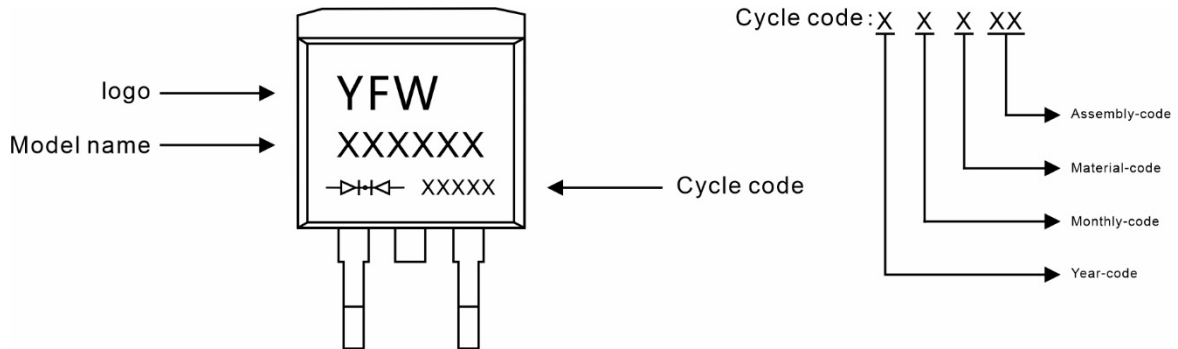
Model name	Package	Unit Weight	Base Quantity	Packing Quantity
MUR1060FCT	TO-220F	0.06oz(1.74g)	50pcs/tube	1000PCS/Box 5000PCS/Carton

**Package Dimensions**

**TO-220F**

Symbol	Millimeter		Inches	
	Min.	Max.	Min.	Max.
A	4.50	4.90	0.177	0.193
A1	2.34	2.74	0.092	0.108
A2	2.66	2.86	0.105	0.113
b	0.75	0.85	0.030	0.033
b1	1.24	1.44	0.049	0.057
c	0.40	0.60	0.016	0.024
D	10.00	10.32	0.394	0.406
E	15.75	16.05	0.620	0.632
e	2.44	2.64	0.096	0.104
e1	4.88	5.28	0.192	0.208
F	3.10	3.5	0.122	0.138
L	13.50	13.90	0.531	0.547
L1	2.90	3.30	0.114	0.130
Φ	3.10	3.30	0.122	0.130

**Marking Diagram**



**Ordering information**

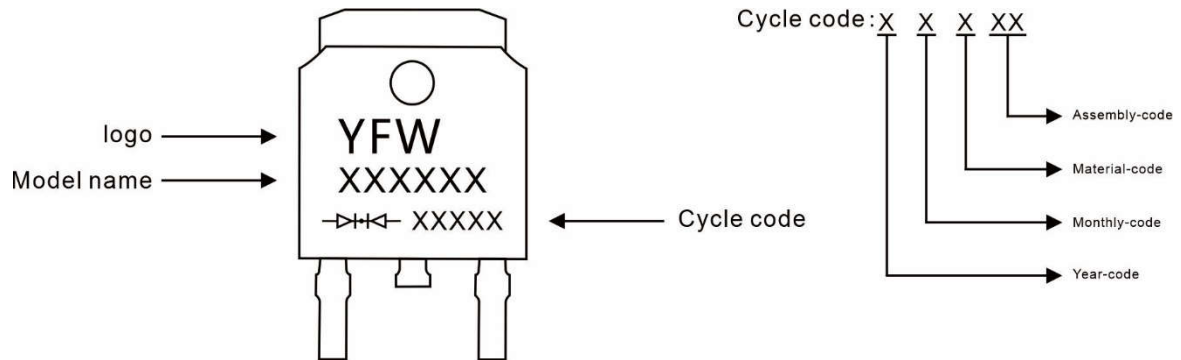
Model name	Package	Unit Weight	Base Quantity	Packing Quantity
MUR1060DC	TO-263	0.04oz(1.16g)	800pcs/reel	1600pcs/box 8000pcs/Carton

**Package Dimensions**

**TO-263**

Dim	Millimeter		Inches	
	Min.	Max.	Min.	Max.
A	4.30	4.70	0.169	0.185
A1	0.00	0.15	0.000	0.006
A2	4.30	4.55	0.169	0.179
B	1.10	1.50	0.043	0.059
b	0.70	0.90	0.028	0.035
b1	1.20	1.50	0.047	0.059
c	0.30	0.60	0.012	0.024
c1	1.17	1.37	0.046	0.054
D	9.90	10.20	0.390	0.402
E	8.50	8.90	0.335	0.350
e	2.44	2.64	0.096	0.104
e1	4.88	5.28	0.192	0.208
L	15.00	15.30	0.591	0.602
L1	5.20	5.40	0.205	0.213
L2	2.40	2.60	0.094	0.102
L3	1.60	1.80	0.063	0.071

**Marking Diagram**



**Ordering information**

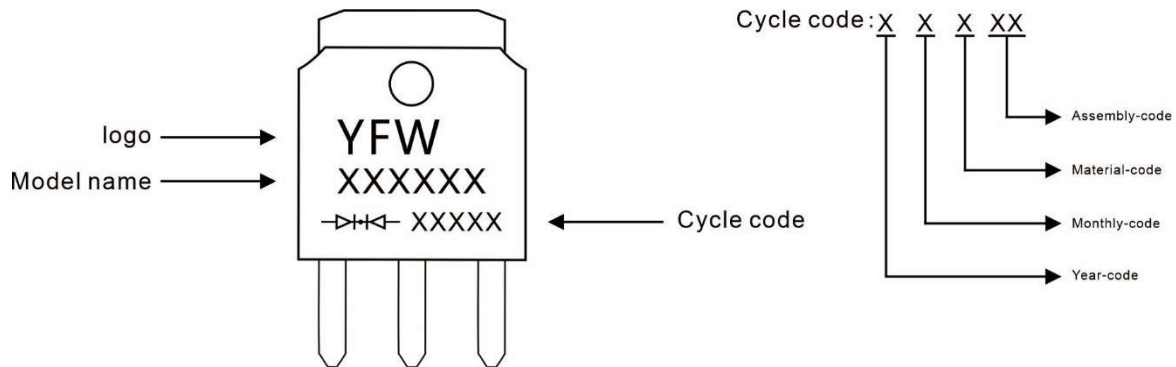
Model name	Package	Unit Weight	Base Quantity	Packing Quantity
MUR1060CS	TO-252	0.011oz(0.32g)	2500pcs/reel	5000pcs/box 25000pcs/Carton

**Package Dimensions**

**TO-252**

Dim	Millimeter		Inches	
	Min.	Max.	Min.	Max.
A	2.20	2.50	0.087	0.098
A1	0.00	0.12	0.000	0.005
A2	2.20	2.40	0.087	0.094
B	1.20	1.60	0.047	0.063
b	0.50	0.70	0.020	0.028
b1	0.70	0.90	0.028	0.035
c	0.40	0.60	0.016	0.024
c1	0.40	0.60	0.016	0.024
D	6.35	6.65	0.250	0.262
D1	5.20	5.40	0.205	0.213
E	5.40	5.70	0.213	0.224
e	2.20	2.40	0.087	0.094
e1	4.40	4.80	0.173	0.189
L	10.00	11.00	0.393	0.433
L1	2.70	3.10	0.106	0.122
L2	1.40	1.80	0.055	0.071
L3	0.90	1.50	0.035	0.059

**Marking Diagram**



**Ordering information**

Model name	Package	Unit Weight	Base Quantity	Packing Quantity
MUR1060AW	TO-251S	0.011oz(0.32g)	80pcs/tube	4000pcs/box 24000pcs/Carton

**Package Dimensions**

**TO-251S**

Dim	Millimeter		Inches	
	Min.	Max.	Min.	Max.
A	2.1	2.5	0.083	0.098
A1	6.3	6.9	0.248	0.271
A2	0.9	1.1	0.035	0.043
A3	TYP0.5		TYP0.019	
b	0.6	0.8	0.024	0.031
c	0.4	0.5	0.015	0.020
D	5.3	5.5	0.209	0.217
D2	3.65	4.05	0.144	0.159
E	5.8	6.4	0.228	0.252
E2	0.9	1.4	0.035	0.055
e	TYP2.29		TYP0.090	
e1	TYP4.58		TYP0.180	
L	3.7	4.3	0.146	0.169

## Disclaimer

The information presented in this document is for reference only. GuangDong Youfeng Microelectronics Co.,Ltd. reserves the right to make changes without notice for the specification of the products displayed herein to improve reliability, function or design or otherwise. The product listed herein is designed to be used with ordinary electronic equipment or devices, and not designed to be used with equipment or devices which require high level of reliability and the malfunction of with would directly endanger human life (such as medical instruments, transportation equipment, aerospace machinery, nuclear-reactor controllers, fuel controllers and other safety devices),YFW or anyone on its behalf, assumes no responsibility or liability for any damages resulting from such improper use of sale. This publication supersedes & replaces all information previously supplied. For additional information, please visit our website <https://www.yfwdiode.com>, or consult YFW sales office for further assistance.