

Schottky Barrier Rectifiers

Reverse Voltage - 200 V

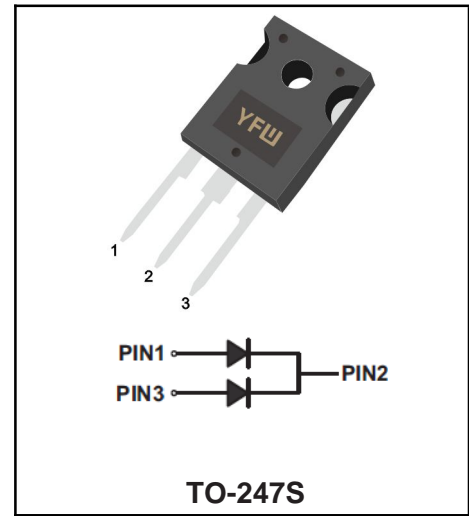
Forward Current - 60 A

Features

- ◆ The plastic package carries Underwriters Laboratory Flammability Classification 94V-0
- ◆ Construction utilizes void-free molded plastic technique
- ◆ Low forward voltage
- ◆ High forward surge current capability
- ◆ High temperature soldering guaranteed
260°C/10 seconds at terminals

Mechanical Data

- ◆ Case : Molded plastic body
- ◆ Terminals : Solder plated, solderable per MIL-STD-750, Method 2026
- ◆ Polarity : Polarity symbol marking on body
- ◆ Mounting Position : Any



Primary Characteristic

I_(AV)	2*30A
V_{RRM}	200V
I_{FSM}	300A
V_F	0.94V
T_J Max	150°C

Maximum Ratings (Ta=25°C unless otherwise specified)

Parameter	Symbols	Value	Units
Maximum Repetitive Peak Reverse Voltage	V_{RRM}	200	V
Working Peak Reverse Voltage	V_{RWM}	140	V
Maximum DC Blocking Voltage	V_{DC}	200	V
Maximum Average Forward Rectified Current Per device rectified current at T _c =110 °C Per diode	I_(AV)	60 30	A
Peak forward surge current, 8.3ms single half sine-wave superimposed on rated load	I_{FSM}	300	A
Operating Temperature Range	T_J	-55 ~ +150	°C
Storage Temperature Range	T_{STG}	-55 ~ +150	°C
Typical Thermal Resistance	R_{θJC}	1.5	°C/W

Electrical Characteristics (Ta=25°C unless otherwise specified)

Characteristics	Symbols	Value		Units
		Typ	Max	
Forward Voltage Drop				V
Maximum instantaneous forward voltage per diode at 30.0A	V_F	0.94	0.98	
Maximum DC reverse current at rated DC blocking voltage	I_R	TA=25°C	50	u A
		TA=100°C	10	mA

Ratings and Characteristic Curves

FIG. 1- DERATING CURVE OUTPUT RECTIFIED CURRENT

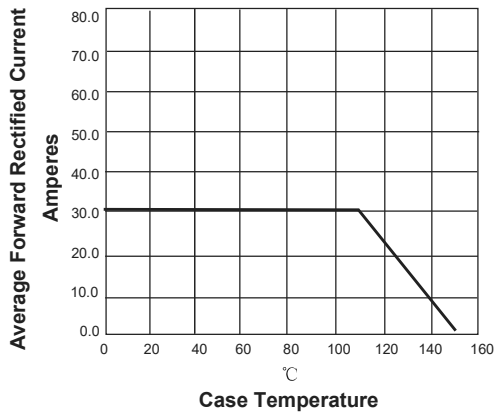


FIG. 2-MAXIMUM NON-REPETITIVE PEAK FORWARD SURGE CURRENT PER LEG

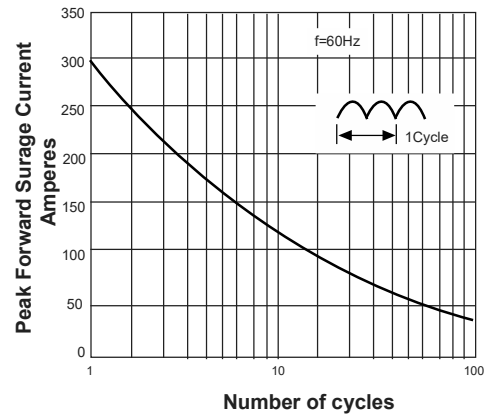


FIG. 3-TYPICAL FORWARD VOLTAGE CHARACTERISTICS

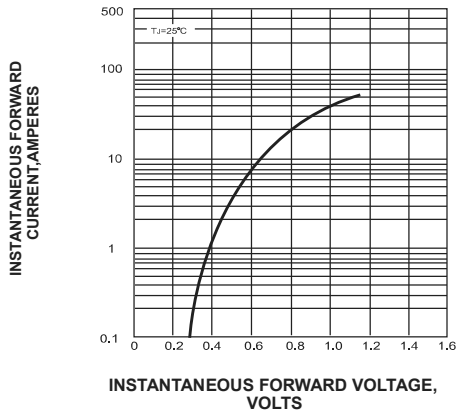
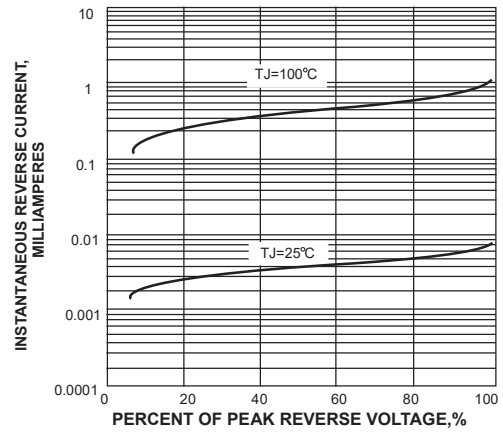
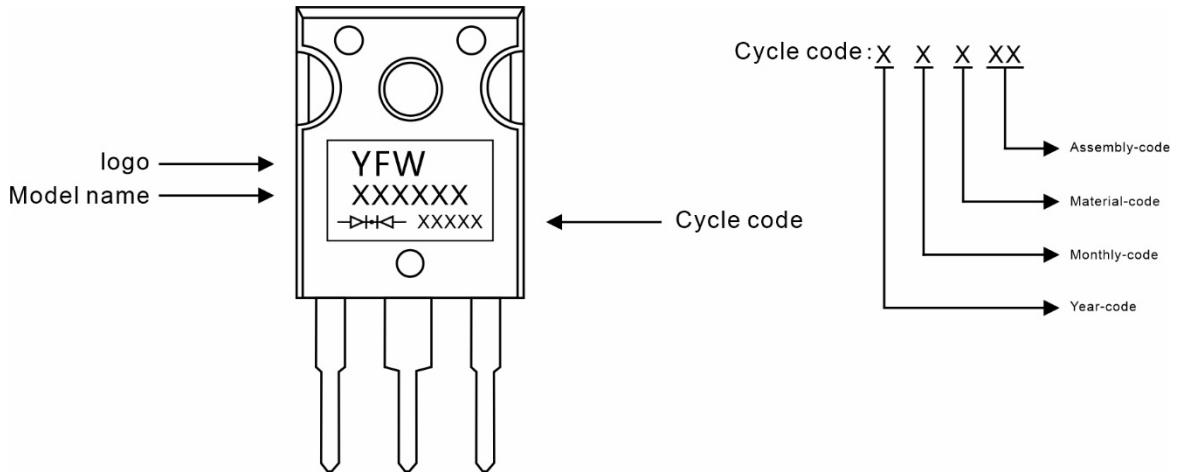


FIG. 4-TYPICAL REVERSE LEAKAGE CHARACTERISTICS



Marking Diagram



Ordering information

Model name	Package	Unit Weight	Base Quantity	Packing Quantity
SRT60L200PTS	TO-247S	0.158oz(4.48g)	30pcs/tube	600PCS/Box 2400PCS/Carton

Package Dimensions

TO-247S

Dim.	Millimeter		Inches	
	Min.	Max.	Min.	Max.
E	15.40	15.80	0.60	0.62
D	19.50	20.50	0.77	0.80
S	5.30	5.50	0.21	0.22
ØR	4.50	5.50	0.18	0.22
ØP	3.40	3.80	0.13	0.15
L	14.0	14.5	0.55	0.57
L1	3.70	4.30	0.15	0.17
L2	18.5		0.73	
e	5.20	5.70	0.20	0.22
b	1.15	1.25	0.04	0.05
b1	1.80	2.20	0.07	0.09
b2	2.80	3.20	0.11	0.13
A	4.80	5.00	0.19	0.20
c	0.40	0.70	0.01	0.02
A1	2.30	2.45	0.09	0.10

Disclaimer

The information presented in this document is for reference only. Guangdong Youfeng Microelectronics Co.,Ltd. reserves the right to make changes without notice for the specification of the products displayed herein to improve reliability, function or design or otherwise. The product listed herein is designed to be used with ordinary electronic equipment or devices, and not designed to be used with equipment or devices which require high level of reliability and the malfunction of which would directly endanger human life (such as medical instruments, transportation equipment, aerospace machinery, nuclear-reactor controllers, fuel controllers and other safety devices), YFW or anyone on its behalf, assumes no responsibility or liability for any damages resulting from such improper use of sale. This publication supersedes & replaces all information previously supplied. For additional information, please visit our website <https://www.yfwdiode.com>, or consult YFW sales office for further assistance.