

**600V N-CHANNEL ENHANCEMENT MODE MOSFET**

**MAIN CHARACTERISTICS**

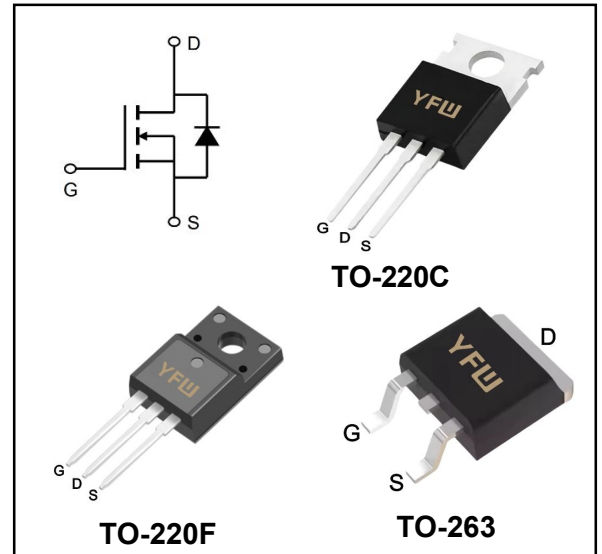
$I_D$	10A
$V_{DSS}$	600V
$R_{DS(ON)-typ}(@V_{GS}=10V)$	<0.9Ω (Type:0.75Ω)

**Features**

- ◆Fast Switching
- ◆Low ON Resistance
- ◆Low Gate Charge
- ◆100% Single Pulse avalanche energy Test
- ◆LeadfreeincomplywithEURoHS2011/65/EUdirectives

**Mechanical Data**

- ◆Case: Molded plastic
- ◆Mounting Position: Any
- ◆Molded Plastic: UL Flammability Classification Rating 94V-0
- ◆Solder bath temperature275℃maximum,10s per JESD22-106



**Maximum Ratings at Tc=25°C unless otherwise specified**

Characteristics	Symbols	Value			Units
		220C	220F	263	
Drain-Source Voltage	<b>V<sub>DS</sub></b>	600			<b>V</b>
Gate-Source Voltage	<b>V<sub>GS</sub></b>	±30			<b>V</b>
Continue Drain Current-Continuous (TC = 25°C)	<b>I<sub>D</sub></b>	10			<b>A</b>
-Continuous (TC = 100°C)		6			
Pulsed Drain Current (Note1)	<b>I<sub>DM</sub></b>	40			<b>A</b>
Power Dissipation	<b>P<sub>D</sub></b>	143	50	143	<b>W</b>
-Derate above 25°C		1.14	0.38	1.14	<b>W/°C</b>
Single Pulse Avalanche Energy (Note2)	<b>E<sub>AS</sub></b>	700			<b>mJ</b>
Avalanche Current (Note 1)	<b>I<sub>AR</sub></b>	10			<b>A</b>
Repetitive Avalanche Energy (Note 1)	<b>E<sub>AS</sub></b>	17			<b>mJ</b>
Operating Temperature Range	<b>T<sub>J</sub></b>	150			<b>°C</b>
Storage Temperature Range	<b>T<sub>STG</sub></b>	-55 to +150			<b>°C</b>
Thermal Resistance, Junction to Case	<b>R<sub>θJC</sub></b>	0.85	2.6	0.85	<b>°C/W</b>
Thermal Resistance, Junction to Ambient	<b>R<sub>θJA</sub></b>	62.5	62.5	62.5	<b>°C/W</b>

**Maximum Ratings at Tc=25°C unless otherwise specified**

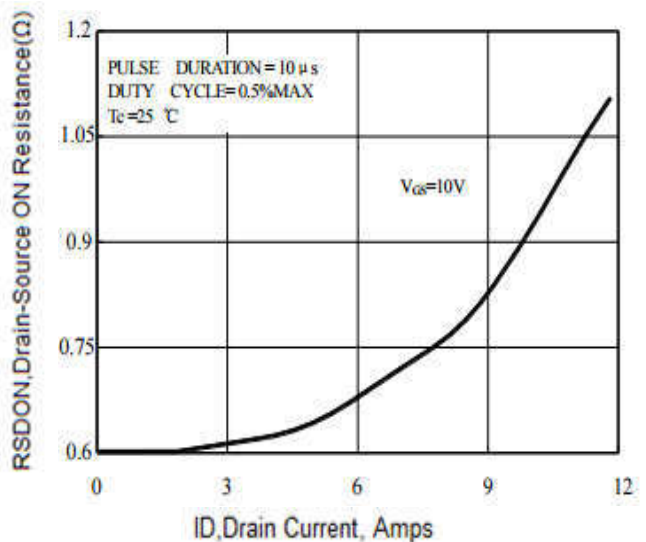
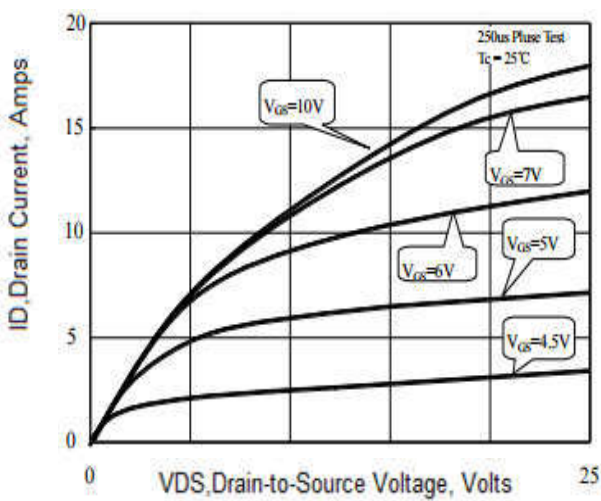
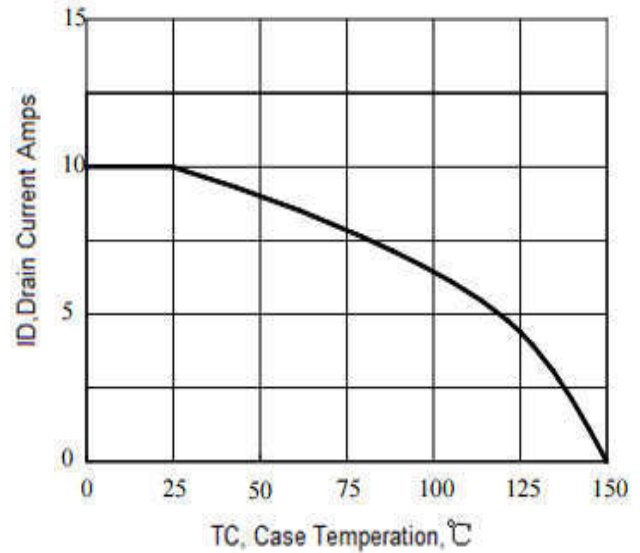
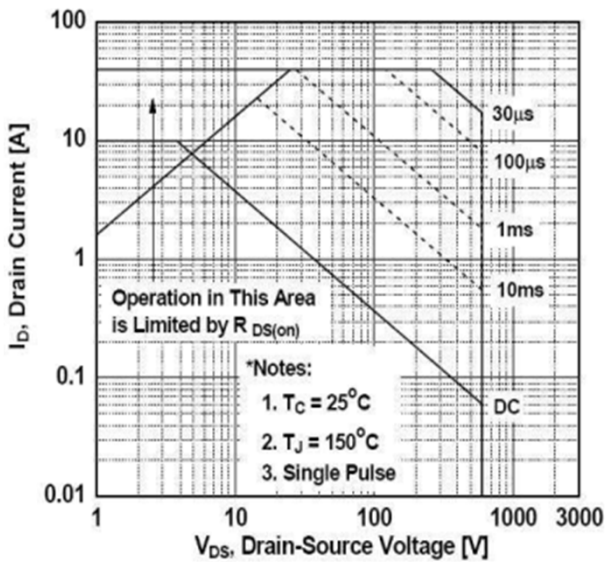
Characteristics	Test Condition	Symbols	Min	Typ	Max	Units
Drain-Source Breakdown Voltage	V <sub>GS</sub> = 0 V, I <sub>D</sub> = 250 μA	<b>BV<sub>DSS</sub></b>	600	-	-	<b>V</b>
Drain-Source Leakage Current	V <sub>DS</sub> = 600 V, V <sub>GS</sub> = 0 V	<b>I<sub>DSS</sub></b>	-	-	1	<b>uA</b>
	V <sub>DS</sub> = 480 V, T <sub>c</sub> = 125°C		-	-	10	
Gate Leakage Current	V <sub>GS</sub> = ± 30 V, V <sub>DS</sub> = 0 V	<b>I<sub>GSS</sub></b>	-	-	±100	<b>nA</b>
Gate-Source Threshold Voltage	V <sub>DS</sub> = V <sub>GS</sub> , I <sub>D</sub> = 250 μA	<b>V<sub>GS(th)</sub></b>	2	-	4	<b>V</b>
Drain-Source On-State Resistance	V <sub>GS</sub> = 10 V, I <sub>D</sub> = 5 A	<b>R<sub>DS(on)</sub></b>	-	0.75	0.9	<b>Ω</b>
Forward Transconductance(Note3)	V <sub>DS</sub> = 40 V, I <sub>D</sub> = 5 A	<b>g<sub>fs</sub></b>	-	9.5	-	<b>S</b>
Input Capacitance	V <sub>GS</sub> = 0 V, V <sub>DS</sub> = 25 V, f = 1MHz	<b>C<sub>iss</sub></b>	-	1609	-	<b>pF</b>
Output Capacitance		<b>C<sub>oss</sub></b>	-	136	-	
Reverse Transfer Capacitance		<b>C<sub>rss</sub></b>	-	8	-	
Turn-on Delay Time	I <sub>D</sub> = 10 A, V <sub>DD</sub> = 300 V, R <sub>G</sub> = 25Ω(Note3,4)	<b>td(ON)</b>	-	26	-	<b>nS</b>
Rise Time		<b>tr</b>	-	23	-	
Turn-Off Delay Time		<b>td(OFF)</b>	-	49	-	
Fall Time		<b>tf</b>	-	27	-	
Total Gate Charge	I <sub>D</sub> = 10 A, V <sub>DD</sub> = 480V, V <sub>GS</sub> = 10 V(Note3,4)	<b>Q<sub>G</sub></b>	-	32	-	<b>nC</b>
Gate to Source Charge		<b>Q<sub>GS</sub></b>	-	8	-	
Gate to Drain Charge		<b>Q<sub>GD</sub></b>	-	12	-	

Source-Drain Diode Characteristics at Ta=25°C unless otherwise specified

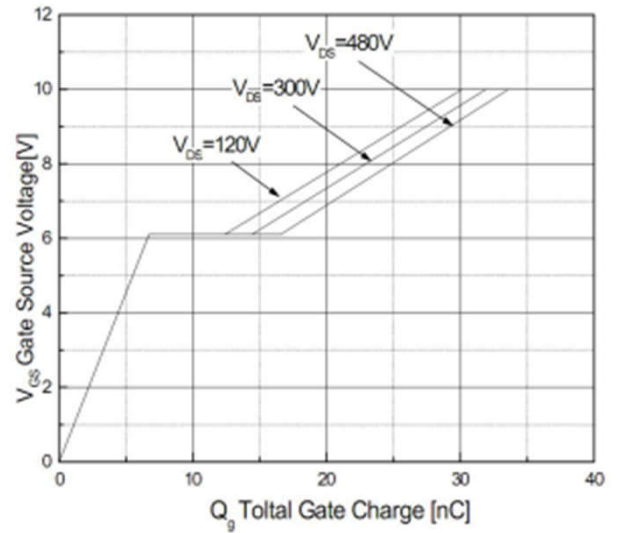
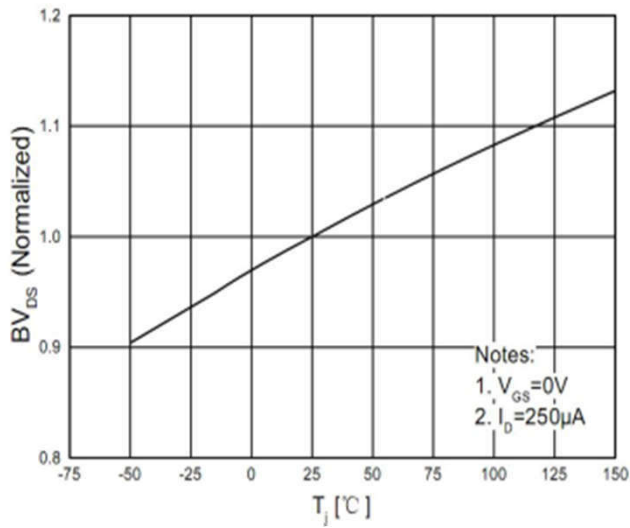
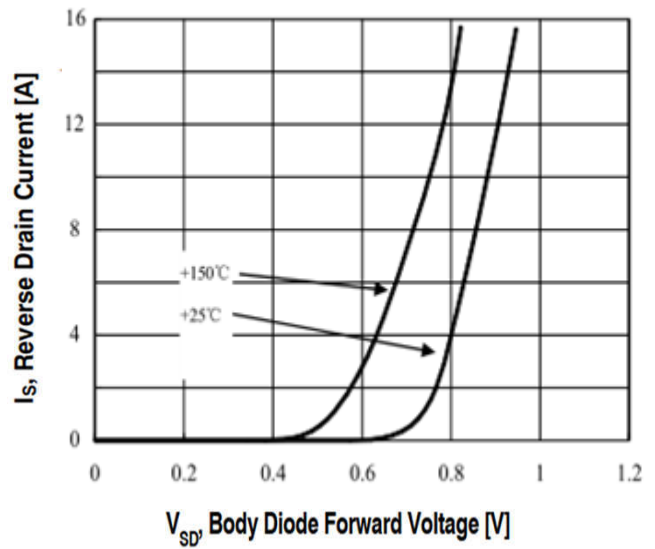
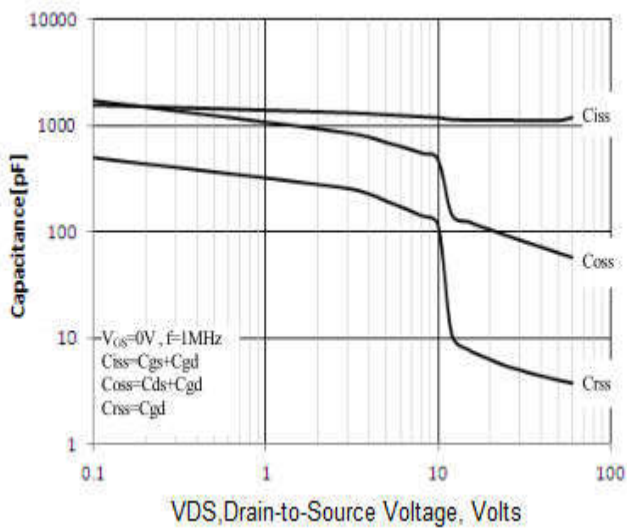
Characteristics	Test Condition	Symbols	Min	Typ	Max	Units
Maximum Continuous Drain-Source Diode Forward Current		<b>I<sub>S</sub></b>	-	-	10	<b>A</b>
Maximum Pulsed Drain-Source Diode Forward Current		<b>I<sub>SM</sub></b>	-	-	40	<b>A</b>
Drain-Source Diode Forward Voltage	I <sub>SD</sub> = 10 A	<b>V<sub>SD</sub></b>	-	-	1.4	<b>V</b>
Reverse Recovery Time	I <sub>SD</sub> = 10 A, V <sub>GS</sub> = 0 V, dI <sub>F</sub> / dt = 100 A/μs (Note3)	<b>trr</b>	-	500	-	<b>nS</b>
Reverse Recovery Charge		<b>Qrr</b>	-	3	-	<b>uC</b>

- Note:
1. Repetitive Rating: Pulse width limited by maximum junction temperature.
  2. IAS = 10 A, VDD = 50 V, L = 14mH, RG = 25Ω, starting TJ = 25°C.
  3. ulse test: Pulse Width ≤300 μ s, Duty Cycle≤2%.
  4. Essentially Independent of Operating Temperature.

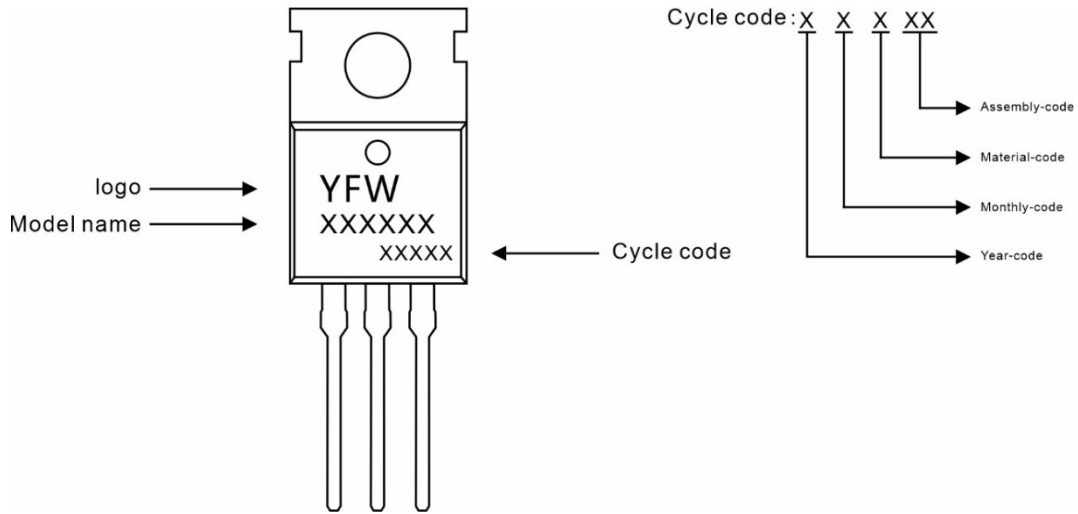
Ratings and Characteristic Curves



Ratings and Characteristic Curves



**Marking Diagram**



**Ordering information**

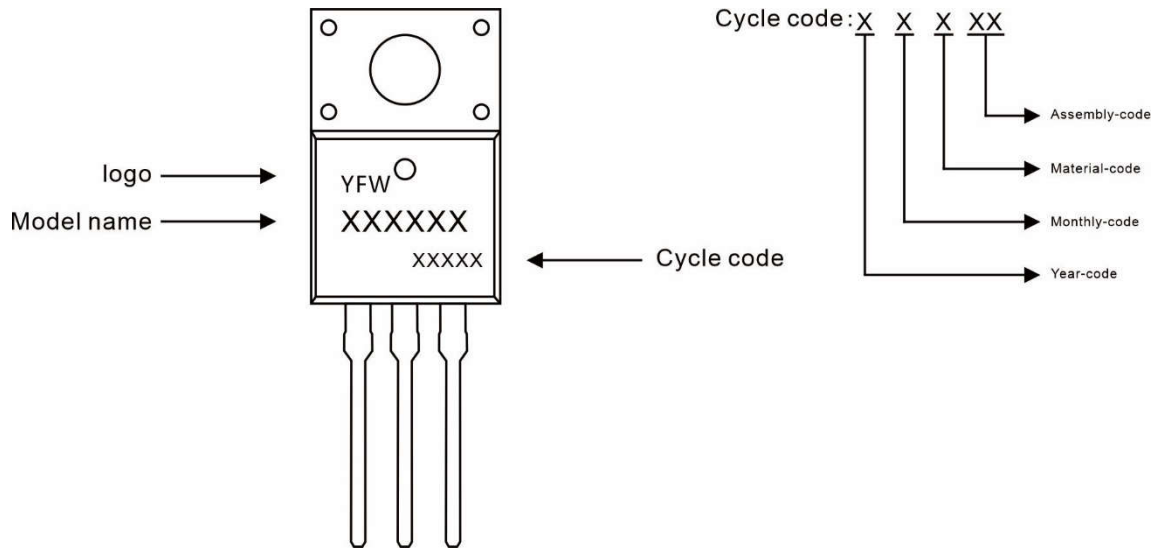
Model name	Package	Unit Weight	Base Quantity	Packing Quantity
YFW10N60AC	TO-220C	0.07oz(1.96g)	50pcs/tube	1000PCS/Box 5000PCS/Carton

**Package Dimensions**

**TO-220C**

Dim	Millimeter		Inches	
	Min.	Max.	Min.	Max.
A	4.34	4.67	0.171	0.184
A1	2.52	2.82	0.099	0.111
b	0.71	0.91	0.028	0.036
b1	1.17	1.37	0.046	0.054
c	0.30	0.50	0.012	0.020
c1	1.17	1.37	0.046	0.054
D	9.90	10.20	0.390	0.402
E	8.50	8.90	0.335	0.350
E1	12.00	12.50	0.472	0.492
e	2.44	2.64	0.096	0.104
e1	4.88	5.28	0.192	0.208
F	2.60	2.80	0.102	0.110
L	13.20	13.80	0.520	0.543
L1	3.80	4.20	0.150	0.165
Φ	3.60	3.96	0.142	0.156

**Marking Diagram**



**Ordering information**

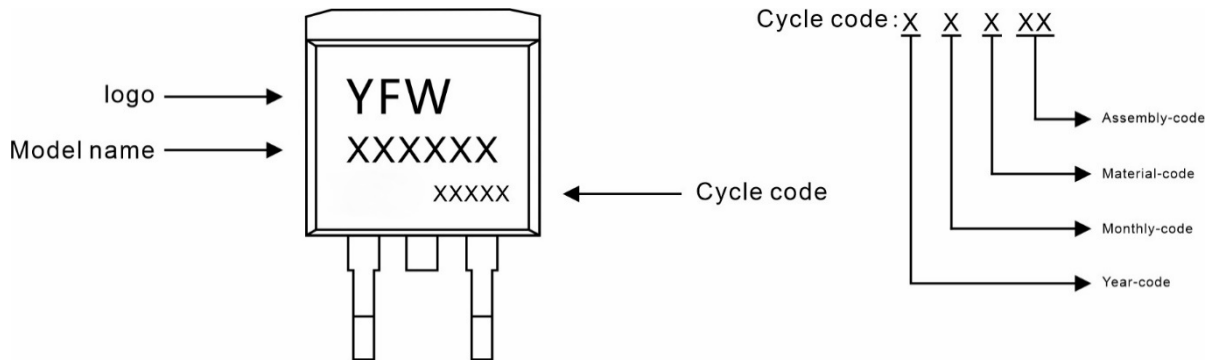
Model name	Package	Unit Weight	Base Quantity	Packing Quantity
YFW10N60AF	TO-220F	0.06oz(1.74g)	50pcs/tube	1000PCS/Box 5000PCS/Carton

**Package Dimensions**

**TO-220F**

Symbol	Millimeter		Inches	
	Min.	Max.	Min.	Max.
A	4.50	4.90	0.177	0.193
A1	2.34	2.74	0.092	0.108
A2	2.66	2.86	0.105	0.113
b	0.75	0.85	0.030	0.033
b1	1.24	1.44	0.049	0.057
c	0.40	0.60	0.016	0.024
D	10.00	10.32	0.394	0.406
E	15.75	16.05	0.620	0.632
e	2.44	2.64	0.096	0.104
e1	4.88	5.28	0.192	0.208
F	3.10	3.5	0.122	0.138
L	13.50	13.90	0.531	0.547
L1	2.90	3.30	0.114	0.130
Φ	3.10	3.30	0.122	0.130

**Marking Diagram**



**Ordering information**

Model name	Package	Unit Weight	Base Quantity	Packing Quantity
YFW10N60AS	TO-263	0.04oz(1.16g)	800pcs/reel	1600pcs/box 8000pcs/Carton

**Package Dimensions**

TO-263

Dim	Millimeter		Inches	
	Min.	Max.	Min.	Max.
A	4.30	4.70	0.169	0.185
A1	0.00	0.15	0.000	0.006
A2	4.30	4.55	0.169	0.179
B	1.10	1.50	0.043	0.059
b	0.70	0.90	0.028	0.035
b1	1.20	1.50	0.047	0.059
c	0.30	0.60	0.012	0.024
c1	1.17	1.37	0.046	0.054
D	9.90	10.20	0.390	0.402
E	8.50	8.90	0.335	0.350
e	2.44	2.64	0.096	0.104
e1	4.88	5.28	0.192	0.208
L	15.00	15.30	0.591	0.602
L1	5.20	5.40	0.205	0.213
L2	2.40	2.60	0.094	0.102
L3	1.60	1.80	0.063	0.071

## Disclaimer

The information presented in this document is for reference only. Guangdong Youfeng Microelectronics Co.,Ltd. reserves the right to make changes without notice for the specification of the products displayed herein to improve reliability, function or design or otherwise. The product listed herein is designed to be used with ordinary electronic equipment or devices, and not designed to be used with equipment or devices which require high level of reliability and the malfunction of which would directly endanger human life (such as medical instruments, transportation equipment, aerospace machinery, nuclear-reactor controllers, fuel controllers and other safety devices), YFW or anyone on its behalf, assumes no responsibility or liability for any damages resulting from such improper use of sale. This publication supersedes & replaces all information previously supplied. For additional information, please visit our website <https://www.yfwdiode.com>, or consult YFW sales office for further assistance.