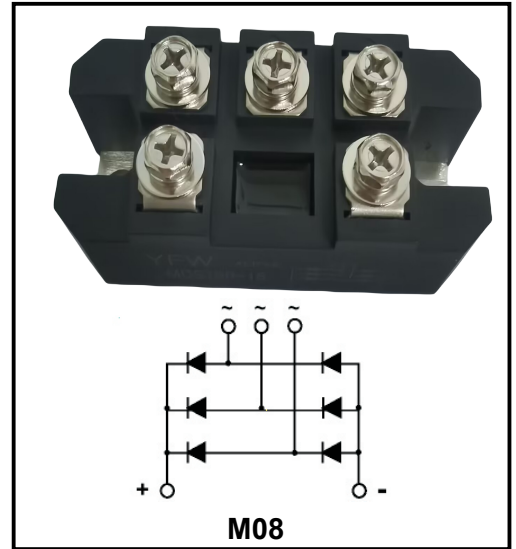


Three-phase bridge rectifier modules

Features

- ◆Noninsulated and common electrode for base.
- ◆International standard packaging.
- ◆Total pressure structure,good ability of temperature characteristic and power cycle.
- ◆Maximum operating junction temperature.
- ◆Hight surge current.
- ◆Low peak on-state voltage.



MDS

Type	Id@Tc		VRRM	VFM@IFM		IRRM	IF(AV)	IF(RMS)	IFSM	I ² T	VFO	RF	Rjc	Tjm	Viso
	A	A	V	V	A	mA	A	A	A×10 ³	A ² s×10 ⁴	v	mΩ	°C/W	°C	V(A.C)
MDS30	30	100	600~1600	1.1	30	2	10	25	0.5	0.12	0.80	9.0	0.44	150	2500
MDS50	50	100	600~1600	1.2	50	4	17	39	0.75	0.28	0.80	9.0	0.3	150	2500
MDS75	75	100	600~1600	1.25	75	4	25	47	1.00	0.51	0.80	7.0	0.24	150	2500
MDS100	100	100	600~1600	1.30	100	8	33	51	1.20	0.72	0.80	4.5	0.2	150	2500
MDS150	150	100	600~1600	1.20	150	10	50	71	1.50	1.14	0.80	3.8	0.14	150	2500
MDS175	175	100	600~1600	1.51	175	12	58	83	2.70	3.88	0.80	3.1	0.14	150	2500
MDS200	200	100	600~1600	1.35	200	15	67	95	2.1	2.21	0.80	2.8	0.1	150	2500

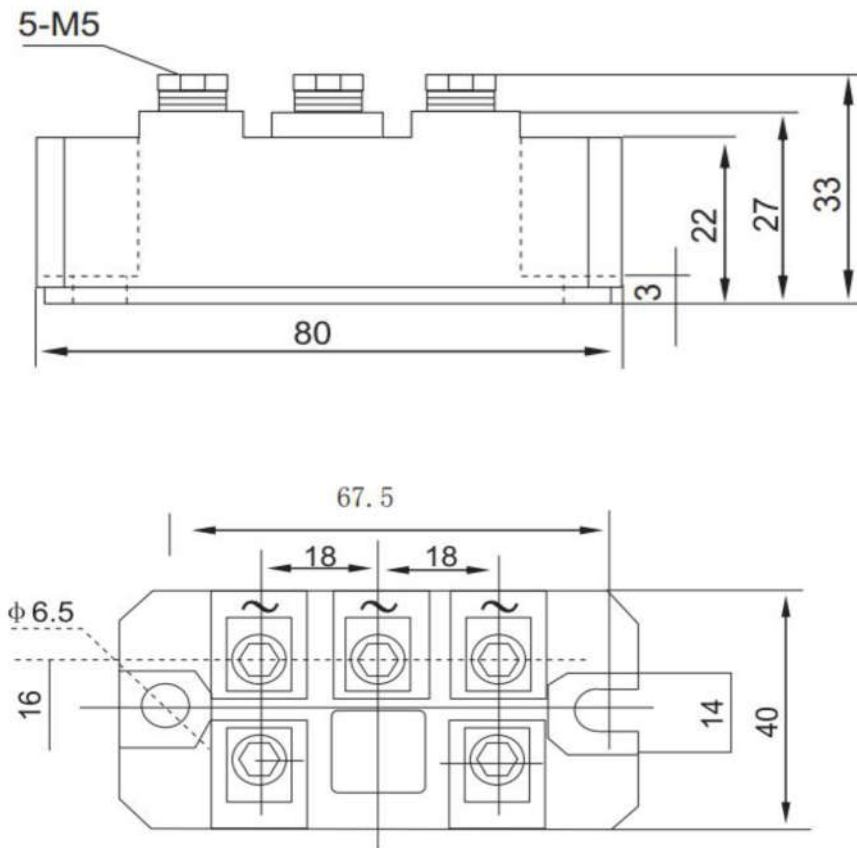
Ordering information

Model name	Package	Unit Weight	Base Quantity
MDSXXX-XX	M08	5.29oz(150g)	10pcs/ Box

Package Dimensions

M08

unit: Millimeter



Disclaimer

The information presented in this document is for reference only. Guangdong Youfeng Microelectronics Co.,Ltd. reserves the right to make changes without notice for the specification of the products displayed herein to improve reliability, function or design or otherwise. The product listed herein is designed to be used with ordinary electronic equipment or devices, and not designed to be used with equipment or devices which require high level of reliability and the malfunction of which would directly endanger human life (such as medical instruments, transportation equipment, aerospace machinery, nuclear-reactor controllers, fuel controllers and other safety devices), YFW or anyone on its behalf, assumes no responsibility or liability for any damages resulting from such improper use of sale. This publication supersedes & replaces all information previously supplied. For additional information, please visit our website <https://www.yfwdiode.com>, or consult YFW sales office for further assistance.